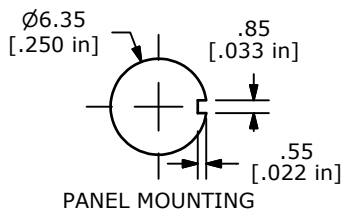
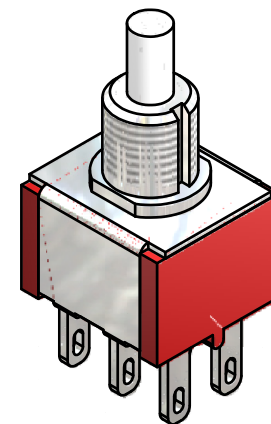
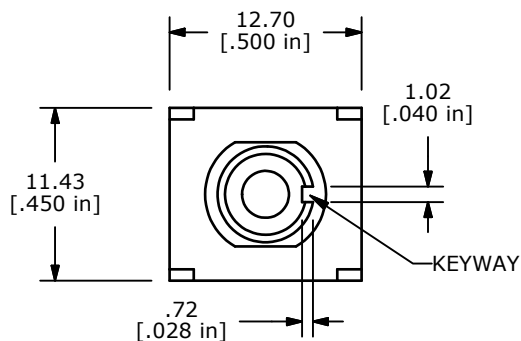
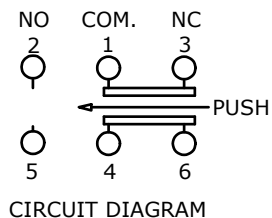
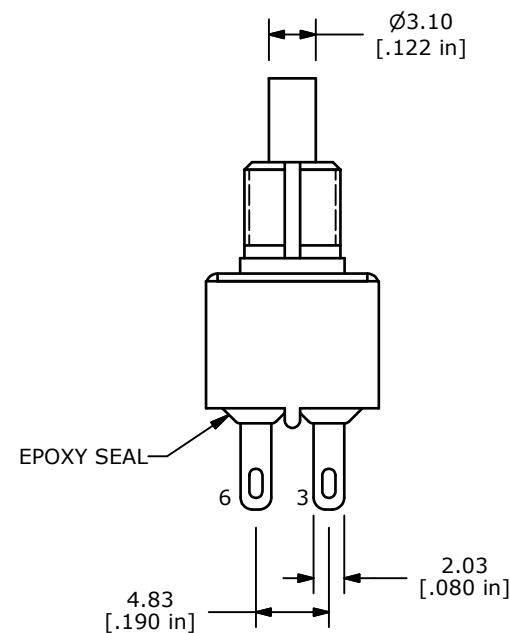
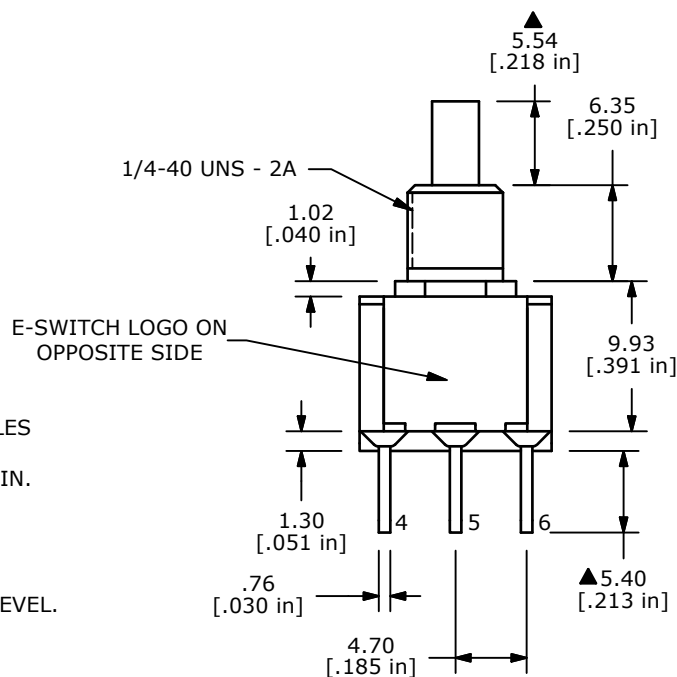


SWITCH FUNCTION	
POS. 1	POS. 2
ON	(ON)
1-3, 4-6	1-2, 4-5

( ) = MOMENTARY



- NOTE:
1. ALL DIMENSIONS IN MM [INCH]
  2. GENERAL TOLERANCE: X.X=±0.4  
X.XX=±0.25
  3. TERMINAL NUMBERS FOR REF ONLY
  - ▲4. CONTACT MATERIAL: SILVER
  5. RATING: 1A @ 250 VAC  
3A @ 120 VAC OR 28 VDC MAX.
  6. ELECTRIC LIFE: 50,000 MAKE-AND-BREAK CYCLES AT FULL LOAD
  7. INSULATION RESISTANCE: 1,000 MEGA-OHM MIN.
  8. ACUATION FORCE: 300 ± 100gf
  - ▲9. TRAVEL: 1.0 ± 0.2mm
  10. CONTACT RESISTANCE: 20 mOHM MAX.  
TYPICAL @ 2-4 VDC
  11. DIELECTRIC STRENGTH: 1,000 V RMS @ SEA LEVEL.
  12. OPERATING TEMP.: -30°C to 85°C
  13. ▲ DENOTES CRITICAL PARAMETER.
  14. 2002/95/EC (ROHS) COMPLIANT.



REV	PCR NO	DESCRIPTION	DATE	BY
F	20052	DRAWING UPDATE / CLEAN-UP	7/7/11	BGL
E	17847	Dim 6.70 was 5.00	11/8/07	rc
D	16420	CLEANED UP DWG.	9/11/06	BO
C	16040	REVISED AND REDRAWN	5/19/06	CT

THE INFORMATION CONTAINED IN THIS DOCUMENT IS PROPRIETARY TO E-SWITCH AND IS NOT TO BE COPIED OR TRANSFERRED



TITLE 700DP7B10M1QE

SCALE 2:1	DATE 5/19/2006	DR CT	DWG T721003	REV F
-----------	----------------	-------	-------------	-------